

winterhalter

Spare Parts List

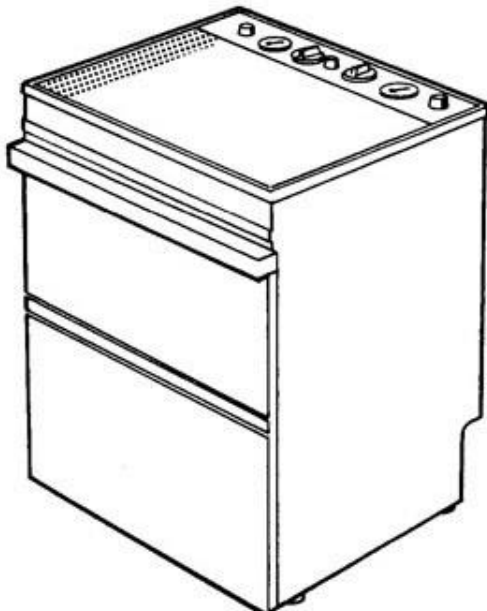
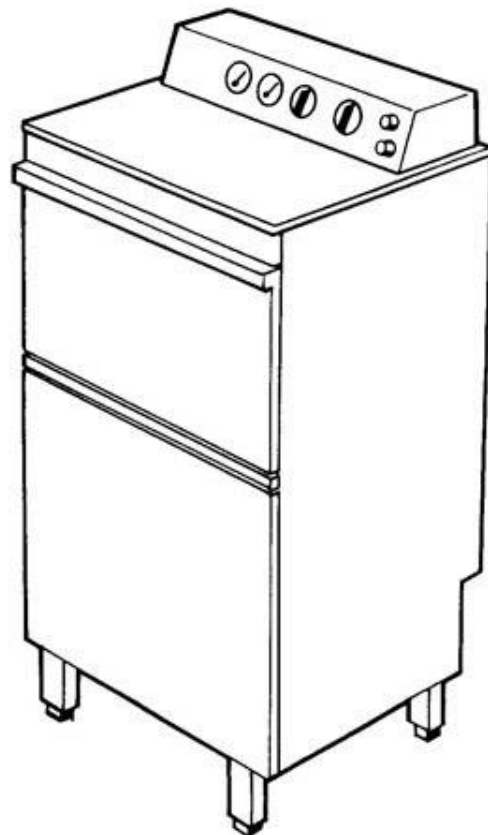
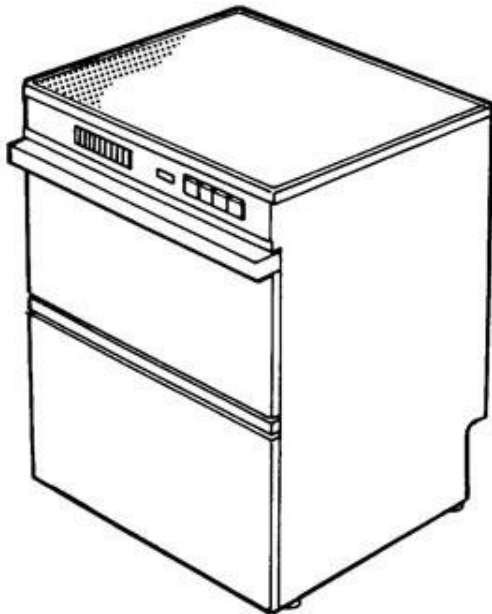
GS 7 / 9 / 10 / 11 / 22 / 32 / 33

Revised 10/04

Part no. 89001324

GS 11 = GS 10 with door for 500 x500 mm racks

GS 33 = GS 32



Summary

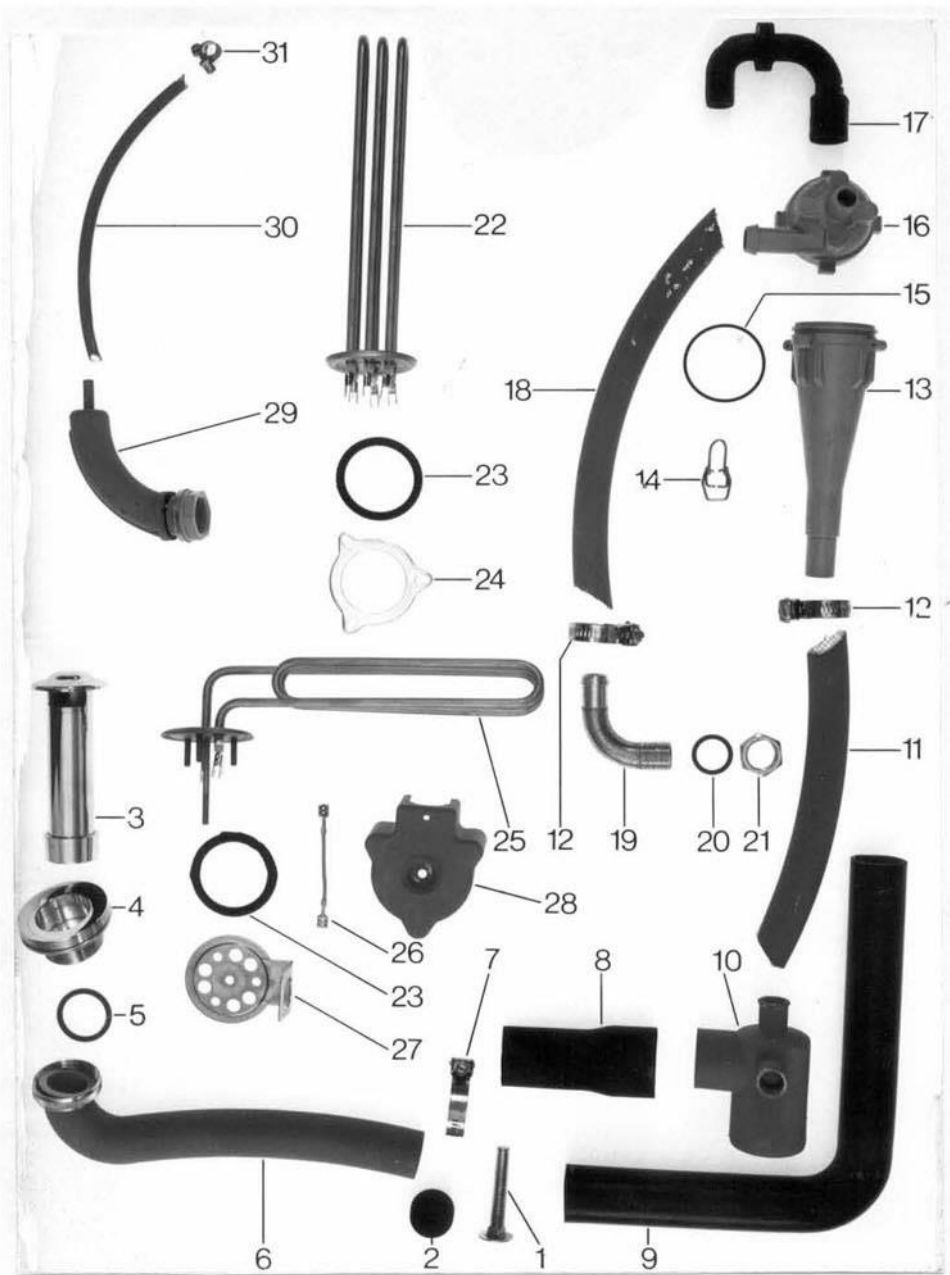
Base frame, panel, tank heating, drain, Mediamat	Page 1 and 2
Water supply	Page 3 and 4
Wash system I	Page 5 and 6
Wash system II	Page 7 and 8
Boiler and rinsing	Page 9 and 10
Door, frame, rails	Page 11 and 12
Electrical parts	Page 13 to 16

Racks and accessories see separate list.

Parts that have the note " Part made to order only! " are not in stock. This parts are made specially for your order and have a delivery time. They are not returnable.

GS 7 / 9 / 10 / 22 / 32

Untergestell, Verkleidung, Tankheizung, Ablauf, Mediamat
Base frame, panel, tank heating, drain, Mediamat
Châssis, habillage, chauffage cuve, écoulement, Médiamat

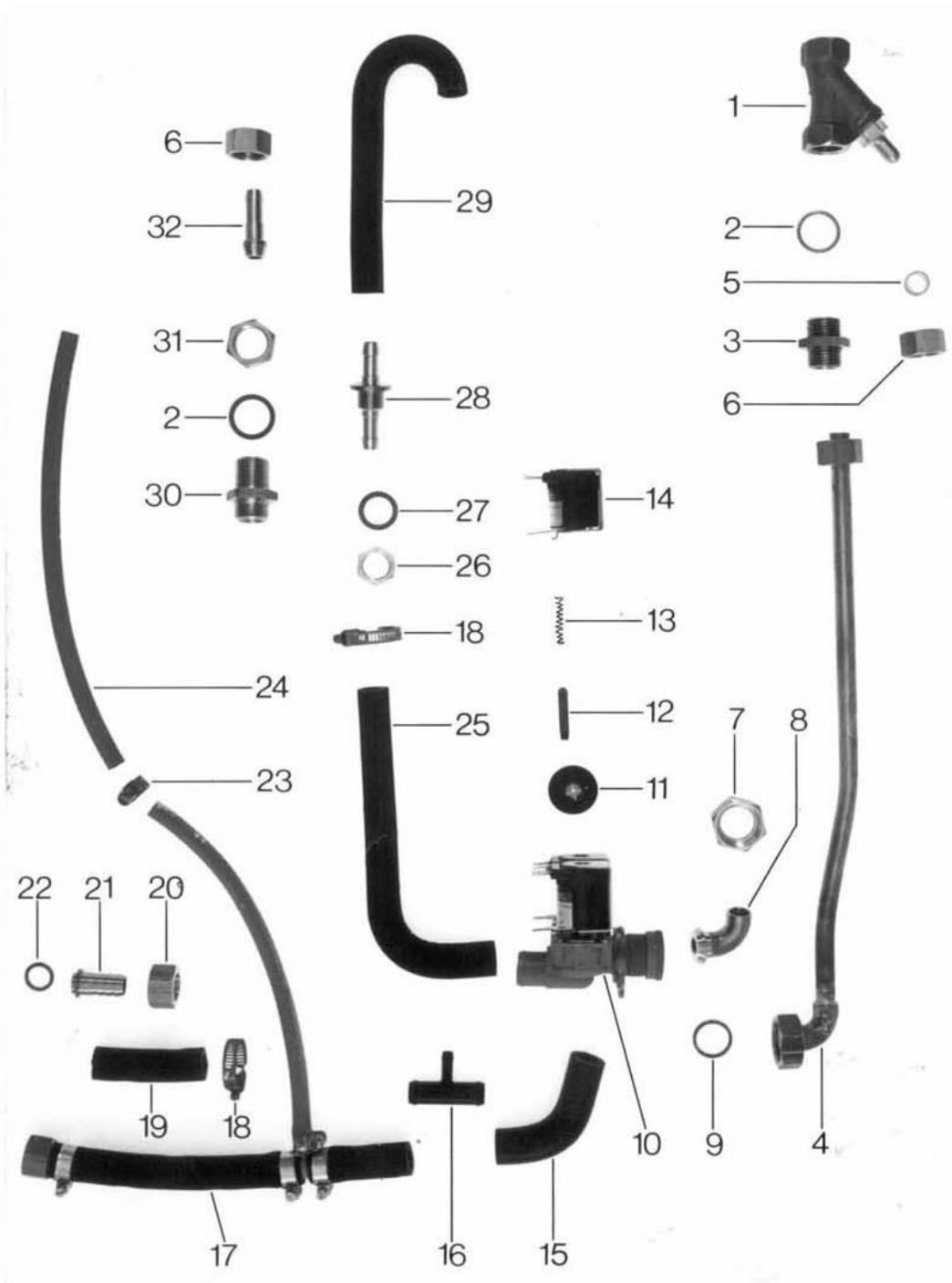


GS 7 /9 / 10 / 22 / 32 Base frame, panel, tank heating, drain, Mediamat

Pos.	Designation	Part no.	7/9	10	22	32	Notes
1	Saucer-head screw M 10 x 60	20 01 360	x	x	x		
2	Rubber buffer ø 30 x 18	40 06 001				x	
n.p.	Supporting spring	55 03 021	x	x	x	x	Part made to order only!
n.p.	Sheet-metal nut	21 17 300					
n.p.	Lateral panel right CNS	55 03 001	x	x	x		Part made to order only!
n.p.	Lateral panel left CNS	55 03 002	x	x	x		Part made to order only!
n.p.	Lateral panel right CNS	55 03 005				x	Part made to order only!
n.p.	Lateral panel left CNS	55 03 006				x	Part made to order only!
n.p.	Front panel CNS	55 03 009	x	x	x		Part made to order only!
n.p.	Front panel	55 03 031	x	x	x		machine without lateral panel
n.p.	Front panel CNS	55 03 011				x	Part made to order only!
n.p.	Inside panel safety cover	35 01 507	x	x	x		
n.p.	Top cover plate CNS	55 17 007	x	x	x		
n.p.	Inside panel safety cover	35 01 502				x	
n.p.	Heating element 2,8 kW 230 V	31 03 047	x				angled, flat tank
n.p.	Heating element 2,8 kW 240 V	31 03 055	x				Angled flat tank
n.p.	Heating element 2,8 kW 220 V	31 03 084	x				GS 7 with deep tank
3	Standpipe 90 mm high	29 04 231	x	x			5/78 until 5/84 flat tank
n.p.	Standpipe 195 mm high	60004176	x	x	x		until 4/78, as from 6/84 deep tank
n.p.	Standpipe 185 mm high	29 04 250				x	
4	Standp. bottom part 1 1/4"	29 04 202	x	x	x	x	
n.p.	Seal for pos. 4	29 04 253	x	x	x	x	
5	Seal 39 x ø 32	27 02 001	x	x	x	x	
6	Siphon	55 05 049	x	x	x	x	incl. 29 07 209
n.p.	Coupling nut for pos. 6	29 07 209	x	x	x	x	
7	Hose clip 32-52 mm	28 02 110	x	x	x	x	
8	Reducing hose piece 32/40	40 03 024				x	200 lg.
9	Drain hose bent	40 03 004	x	x	x		
10	Mediamat drain	35 01 080				x	
11	Fabric hose synth. 19 x 4	40 01 016				x	per meter
12	Hose clip 20-30 mm	28 02 109				x	
n.p.	Mediamat cpl.	55 27 040				x	
13	Accelerator	35 01 035				x	
n.p.	Mediamat plug	35 01 123					
14	End piece locking	28 04 041				x	
15	O-ring 51 x 3,0	27 07 043				x	
16	Head piece	35 01 124				x	
17	Mediamat inlet	55 31 001				x	
18	Fabric hose synth. 16 x 4	40 01 015				x	per meter
19	Mediamat connection 1/2" x ø 18					x	29 06 524, 29 07303, 27 09 011, 30 11 502
20	Seal 28 x ø 21	27 09 011				x	
21	Locking nut 1/2" BSP	30 09 201				x	
22	Heating element 3 kW 220/380 V	31 03 027		x	x		
n.p.	Heating element 3 kW 240/420 V	31 03 029		x	x		
23	O-ring for heating elem.	27 07 069	x	x	x	x	
24	Clamping plate	01 17 003	x	x	x	x	
25	Heating element 6 kW 220/380 V	31 03 025				x	angled
n.p.	Heating element 6 kW 240/420 V	31 03 042				x	angled
26	Link wire	31 23 088		x	x	x	
27	Tank heating flange	31 03 067	x			x	
28	Covering cap	31 03 014	x	x	x	x	
29	Air chamber	55 04 024	x	x	x	x	
30	Detergent hose NW 5 x 3	40 01 024	x	x	x	x	
31	Wire hose clip ø 9	28 02 348	x	x	x	x	

GS 7 / 9 / 10 / 22 / 32

Wasserzulauf
Water inlet
Amenée d'eau



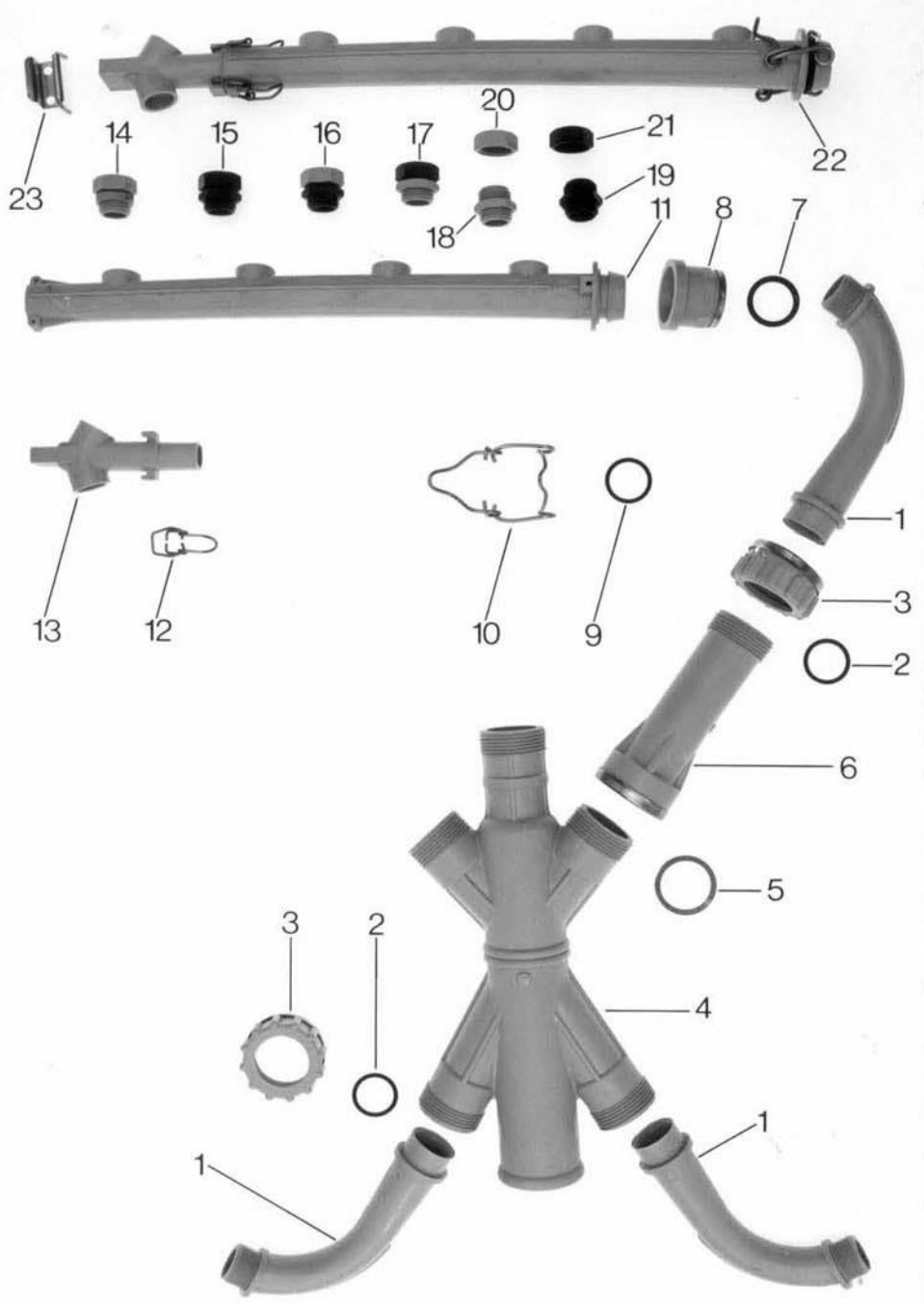
GS 7 / 9 / 10 / 22 / 32

Waschsystem I
Wash system I
Système de lavage I



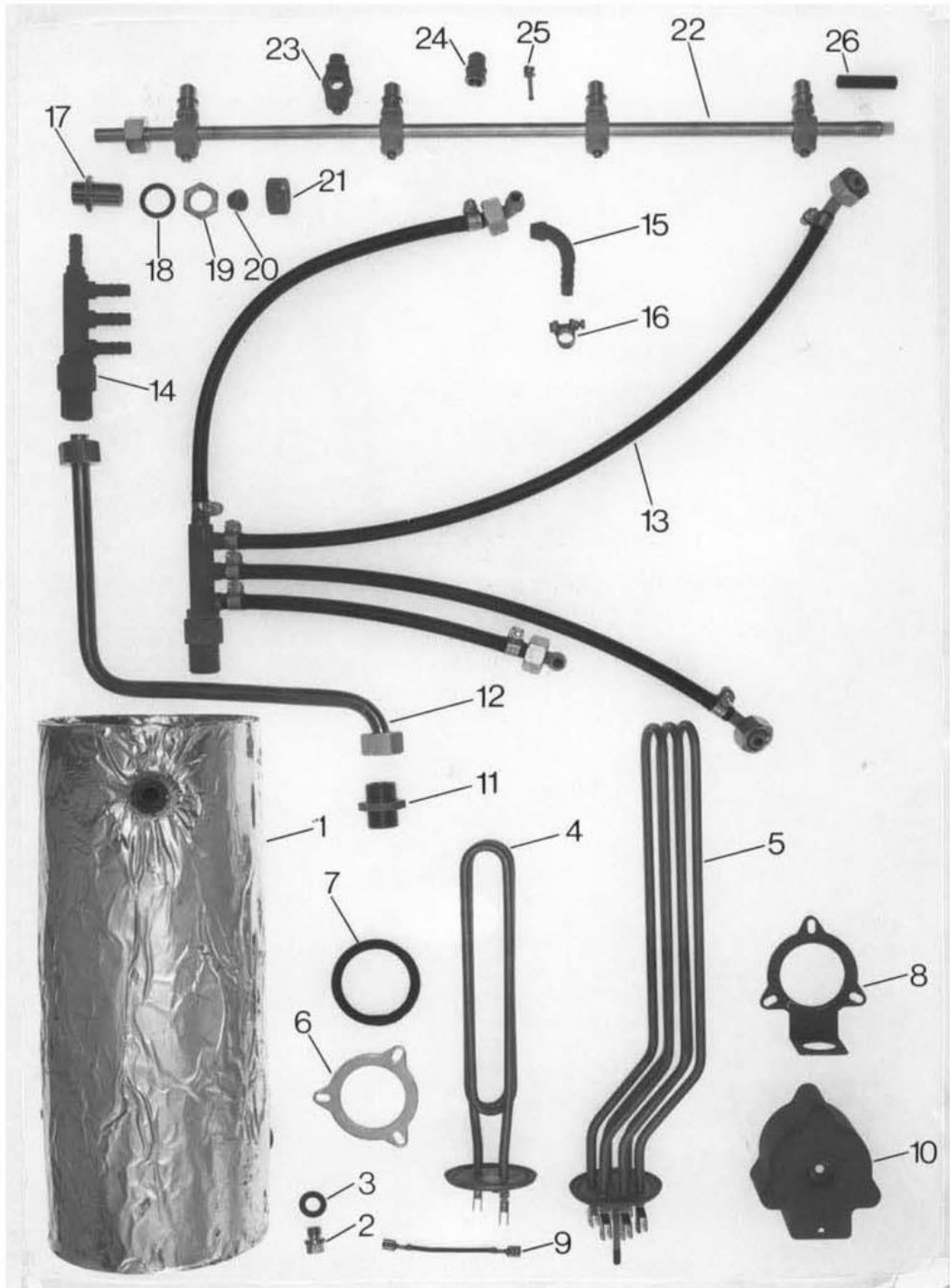
GS 7 / 9 / 10 / 22 / 32

Waschsystem II
Wash system II
Système de lavage II



GS 7 / 9 / 10 / 22 / 32

Boiler und Nachspülung
Boiler and rinsing
Surchauffeur et rinçage

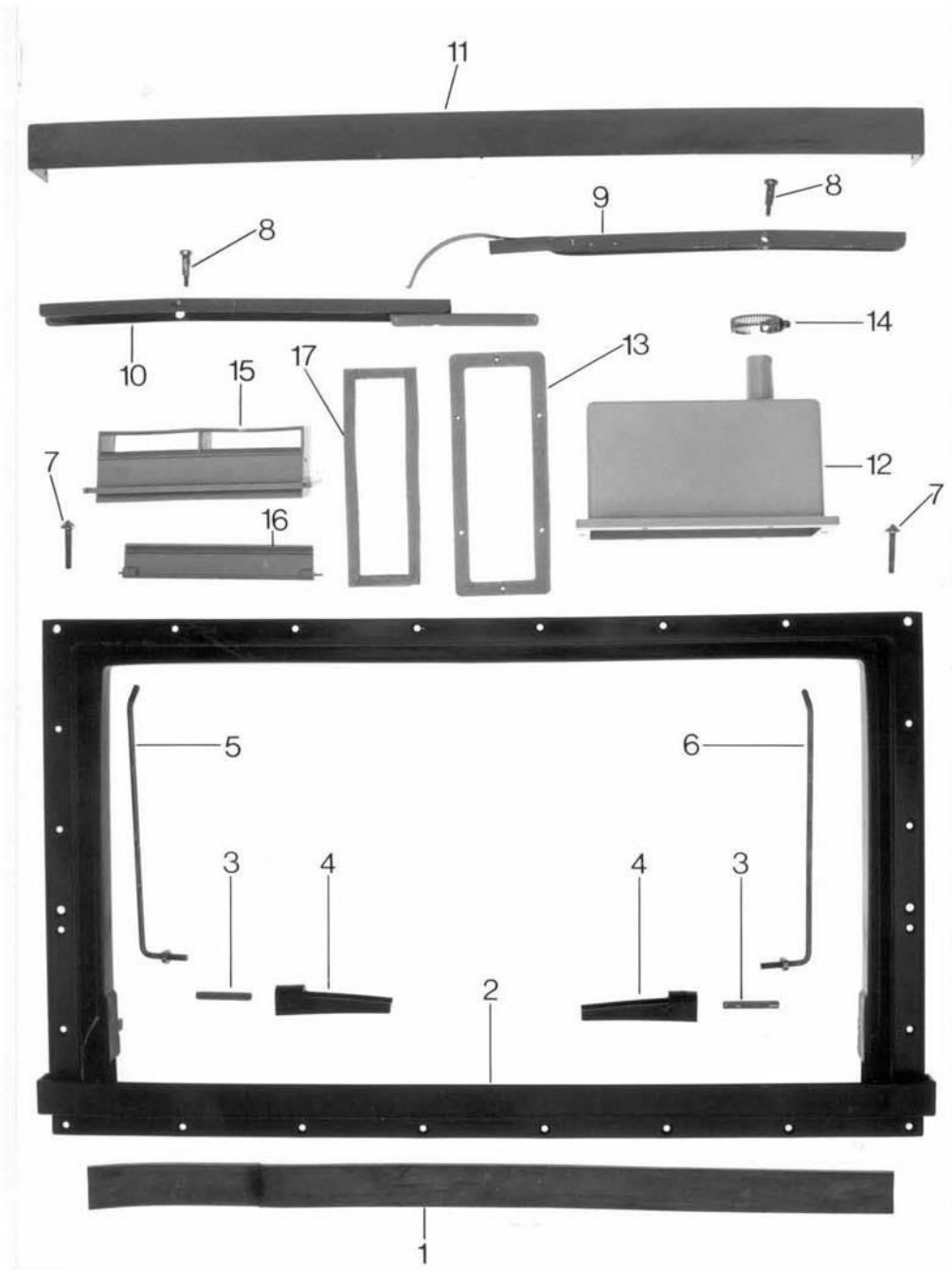


GS 7 / 9 / 10 / 22 / 32 Boiler and rinsing

Pos.	Designation	Part no.	7/9	10	22	32	Notes
1	Boiler 5 kW	55 12 005	x	x	x		
n.p.	Boiler 6 kW 370 lg. + 12 kW	55 12 023				x	until 11/71 MA 65
n.p.	Boiler 6 kW 480 lg. + 12 kW	55 12 032				x	from 6/84
n.p.	Hose clip 182-202	28 02 126				x	
2	Locking screw M 10 x 1	20 01 352	x	x	x	x	
3	Seal 18 x ø 10	27 03 003	x	x	x	x	
4	Heating element 2,8 kW 220 V	31 03 084	x				
n.p.	Heating element 2,8 kW 240 V	31 03 033	x				
n.p.	Heating element 5 kW 220/380 V	31 03 030		x	x		
n.p.	Heating element 5 kW 240/420 V	31 03 032		x	x		
5	Heating element 6 kW 220/380 V	31 03 017				x	
n.p.	Heating element 6 kW 240/420 V	31 03 043				x	
6	Clamping plate	01 17 003	x	x	x		
7	O-ring	27 07 069	x	x	x	x	
8	Clamping ring with angle	55 19 018				x	
9	Link wire	31 23 088		x	x	x	from 2/87
10	Covering cap	31 03 014				x	
n.p.	Cable gland	31 10 040					
n.p.	Coupling nut	31 10 041					
11	Double nipple 1/2" BSP	70000459	x	x	x	x	
n.p.	Cutting ring ø 12	29 07 300	x	x	x	x	
n.p.	Coupling nut 1/2" BSP	29 07 201	x	x	x	x	
12	Rinse connection	55 11 008	x	x	x		as 4/84
n.p.	Rinse connection	55 11 033				x	
n.p.	Rinse connection	55 11 065					GS 33
13	Distributor cpl.	55 09 001	x	x	x	x	
n.p.	Tecalan pipe	40 01 002	x	x	x	x	per meter
n.p.	Distributor cpl.	55 09 018					GS 11
14	Distributor	35 01 023	x	x	x	x	
n.p.	Distributor CNS	55 09 032	x	x	x	x	see pos. 14
15	Hose angle ø 10	29 06 500	x	x	x	x	
16	Hose clip ø 10	28 02 102	x	x	x	x	
17	Double nipple 3/8"	30 11 200	x	x	x	*	
18	Seal 24 x 17	27 09 009	x	x	x	x	
19	Locking nut 3/8"	30 09 200	x	x	x	x	
20	Clamping ring ø 10 plastic grey	29 07 500	x	x	x	x	
21	Coupling nut 3/8"	29 07 200	x	x	x	x	
22	Rinse pipe 465 lg.	55 10 073	x	x	x	x	bottom 4 jets 2 x
n.p.	Rinse pipe 465 lg.	55 10 072	x	x			top 5 jets 1 x
n.p.	Rinse pipe 441 lg.	55 10 020	x	x	x	x	top left 1 x
23	Hinged piece	55 10 008	x	x	x	x	
24	Spray jet cap	65002765	x	x	x	x	
25	Spray jet swirl	65002764	x	x	x	x	
26	Threaded pin M 10 x 40	20 30 501	x	x	x	x	
n.p.	Nut M 4	21 01 302	x	x	x	x	to pos. 23
n.p.	Cylinder screw M 4 x 12	20 09 312	x	x	x	x	
n.p.	Rinse arm cpl. 382 mm	55 10 013	x	x	x	x	as 10/82 top right

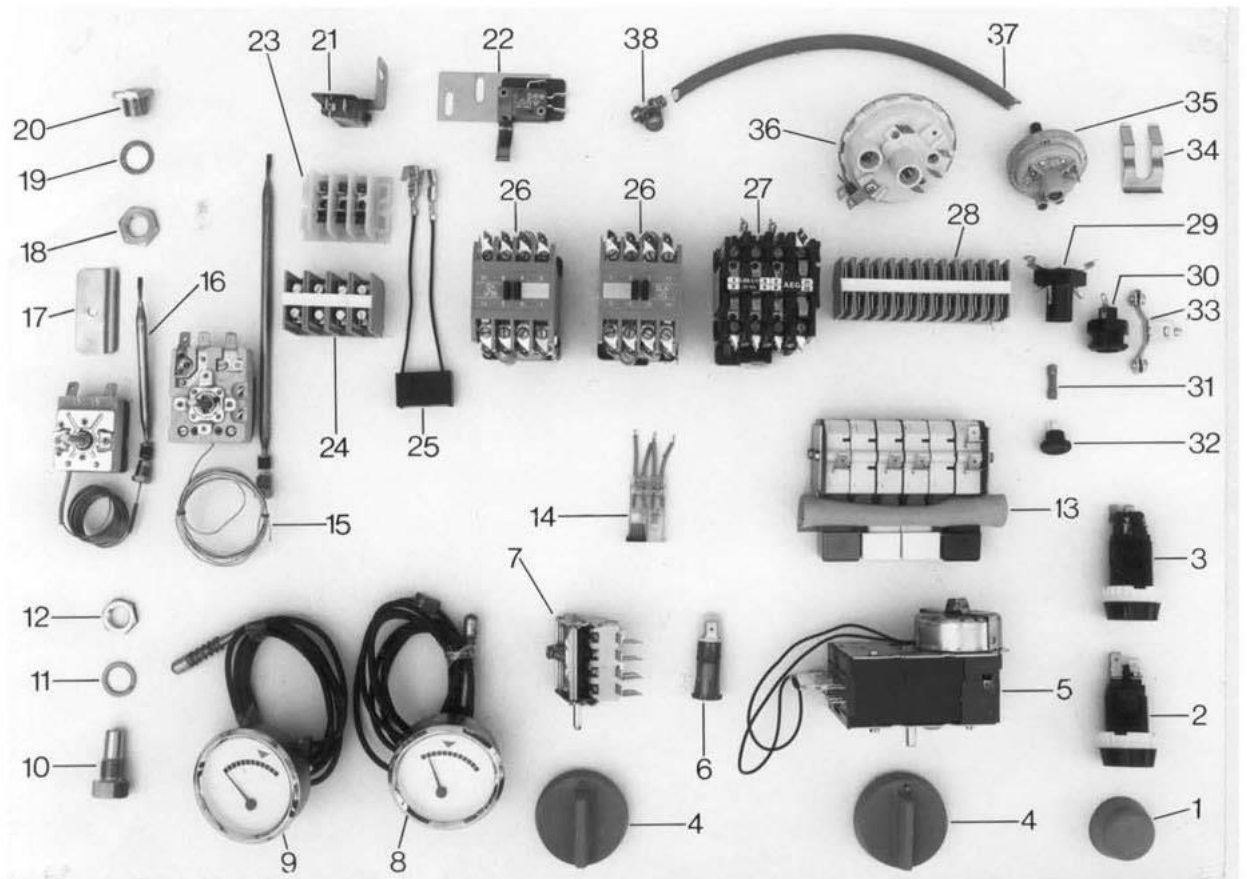
GS 7 / 9 / 10 / 22 / 32

Türe, Rahmen, Schienen
Door, frame, rails
Porte, cadre, barres



GS 7 / 9 / 10 / 22 / 32

**Elektrobestückung
Electrical parts
Matériel électrique**



GS 7 / 9 / 10 / 22 / 32 Electrical parts

Pos.	Designation	Part no.	7/9	10	22	32	Notes
1	Seal cap transparent	31 24 208			x	x	
2	Pressure key button white	31 24 001			x	x	rinse
3	Pressure switch black	31 24 002			x	x	washing
4	Locking button	55 19 036			x	x	
5	Programme switch	31 05 100	x	x	x	x	31 05 106 for GS 7
n.p.	Programme switch 60 Hz	31 05 121					
n.p.	Gearwheel at 60 Hz	31 05 115					
6	Pilot light	31 08 002			x	x	
n.p.	Spring plate	31 08 029			x		for pos. 6
7	Control switch	31 24 008			x	x	
8	Remote thermometer green	32 01 014			x	x	tank
9	Remote thermometer red	32 01 015			x	x	boiler
10	Block connection M 14 x 1,5	32 01 030			x	x	
11	Seal 22,5 x 14,2	27 09 007	x	x	x	x	
12	Locking nut 14 x 1,5	31 25 002	x	x	x	x	
13	Pressure key switch	31 24 007	x	x			black/white / white/green
n.p.	Wiring loom rotary current	31 23 001		x	x	x	GS 07/09 31 23 028
n.p.	Wiring loom control current	31 23 002		x	x	x	GS 07/09 31 23 029
14	Double pilot light	31 08 011	x	x			
15	Thermostat	31 25 010	x				
16	Thermostat	31 25 013	x	x	x	x	10/22/32 tank and boiler
n.p.	Limit stop washer	31 25 019	x	x	x	x	
17	Thermostat clip	55 19 035	x	x	x	x	
18	Locking nut M 14 x 1	31 25 002	x	x	x	x	thermostat lead through
19	Seal 14,2 x 19,9	27 09 036	x	x	x	x	
20	Gland	31 25 001	x	x	x	x	
21	Microswitch with angle	55 19 007	x	x	x	x	
22	Microswitch with plate	55 19 005		x	x	x	until 1970
23	Clamping rail	31 09 011	x				
24	Series terminal 4-fold	31 09 057					
25	RC link 25 µF	60 000990	x	x	x	x	
27	Contacteur BBC A 16	31 04 162		x	x		
n.p.	Contacteur BBC 200 V	31 04 163					Japan
28	Band terminal 13-fold	55 19 070	x	x	x	x	
29	Fuse base 6,3 Amp.	31 11 057				x	
30	Fuse base 6,3 Amp.	31 11 046	x	x	x		
31	Fuse link 6,3 Amp.	31 11 043	x	x	x	x	
32	Screw cap 6,3 Amp.	31 11 048	x	x	x	x	
n.p.	Screw cap 10 Amp.	31 11 093					
33	Earth terminal	31 09 059	x	x	x	x	
34	Clamping spring	31 26 001				x	for 31 26 003
35	Pressure switch	31 26 003				x	
n.p.	Pressure switch green	31 26 023				x	
36	Pressure switch blue	31 26 007	x	x	x		deep-drawn tank bottom until 5/78, from 6/84
n.p.	Pressure switch	31 26 027	x	x			flat tank bottom, 5/78-5/84
37	Detergent hose NW 5 x 3	40 01 024	x	x	x	x	per metre

GS 7 / 9 / 10 / 22 / 32

Elektrobestückung
Electrical parts
Matériel électrique

